



# TORCO-BLOCK

Fast and accurate tool assembly with any wrench

## PRECISE

Never over-torque your toolholders

## REPRODUCIBLE

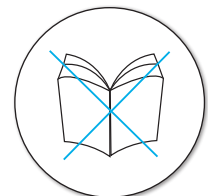
Tool run-out is guaranteed

## TORCO-BLOCK

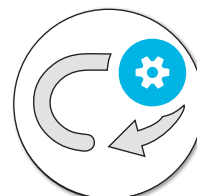
Safe and secure clamping of tools



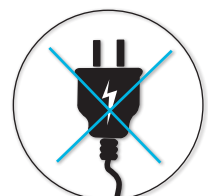
Integrated measurement  
in Nm or ft lb



No tables or torque  
charts needed



Toolholders are always  
clamped correctly



No electricity required

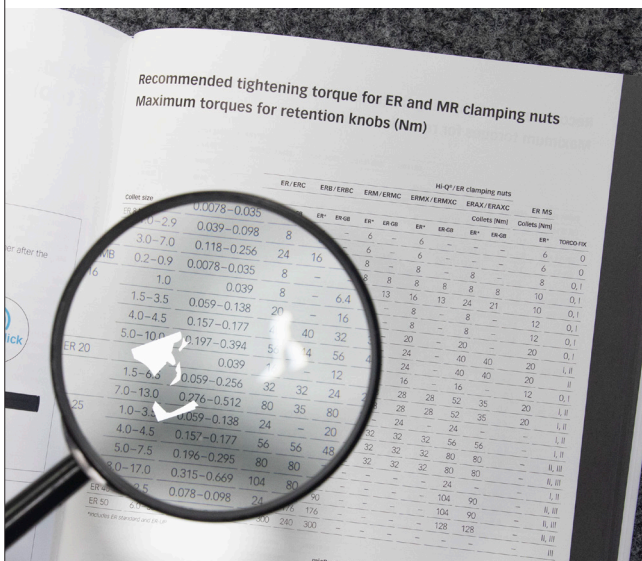
# Why should you use TORCO-BLOCK?

Safe and easy tool-clamping for all available collet systems



## Torque Value Charts

Finding the right tightening torque for you ER system is complicated. All ER manufacturers highly recommend to respect the correct tightening force in order to get best TIR run-out. With TORCO-BLOCK, forget about torque charts and endless searches!



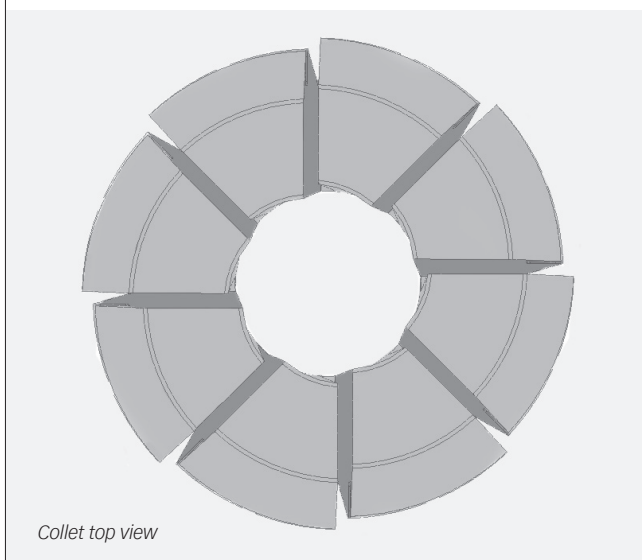
## Torque Wrenches

Clamping your ER nut on a TORCO-BLOCK can be done with literally any standard wrench or spanner. No expensive torque wrenches or other equipment is needed anymore!



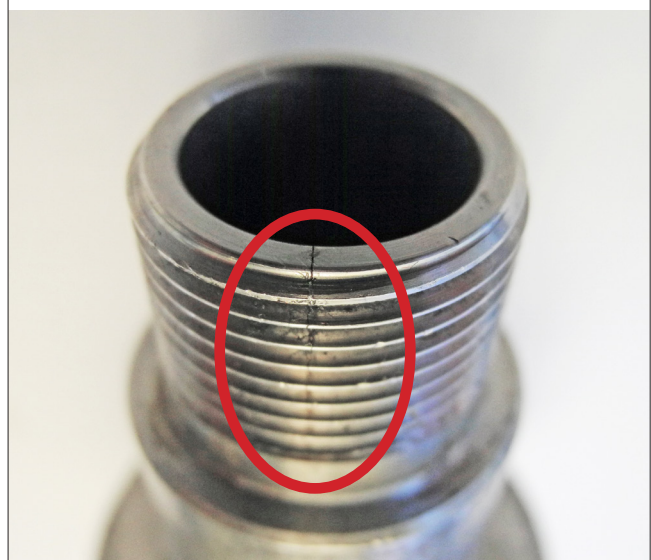
## ER Collet Torsion

Overtorquing an ER system will negatively impact the TIR run-out. Your ER collet will twist and distort under the compression. Don't waste your good ER system because of faulty usage!



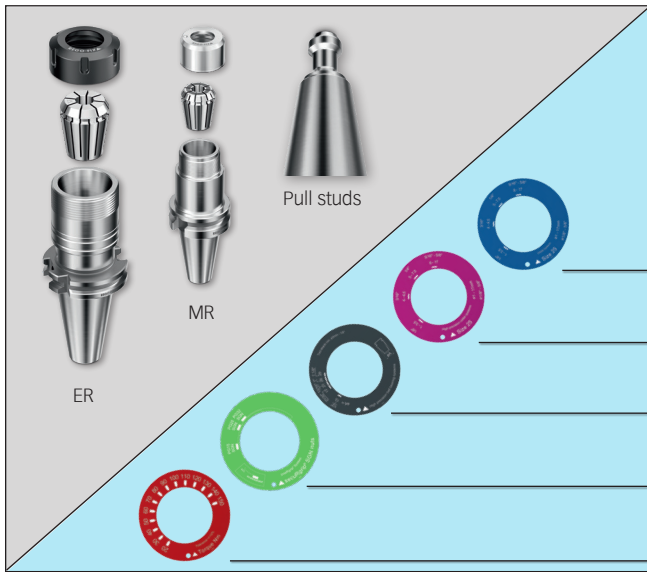
## Damaged Holders

The threaded head of an ER toolholder is designed and manufactured for a specific clamping strength. Overtorquing will eventually provoke hairline cracks or even cracked holders. Respect the right tightening torque thanks to TORCO-BLOCK!



**TORCO-BLOCK** The only tool assembly device in the market that is comfortable to use with integrated torque measuring. Usability is given for all collet based systems and available for standard machine interfaces.

**TORCO-BLOCK – COLLET SYSTEMS**



- // Correct tightening torques, per tool shank diameter and collet size
- // Measuring scale up to 150 Nm/110 ft lb
- // TORCO-BLOCK is supplied with scale rings TB/IR
- // Also suitable for mounting pull studs
- // NEW: Mounting of powRgrip® secuRgrip® SGN nut

ER/ERM systems

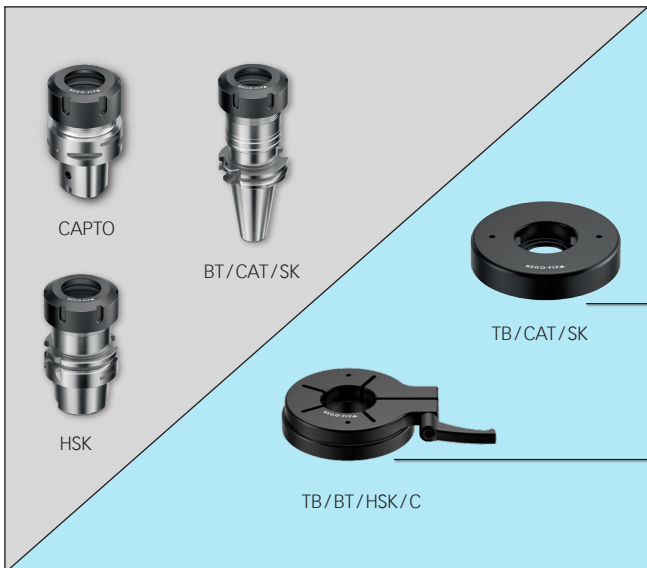
MR micRun® precision systems

Ball bearing systems

For powRgrip® secuRgrip® SGN nut

Torque in Nm or ft lb

**TORCO-BLOCK - Spindle interfaces**

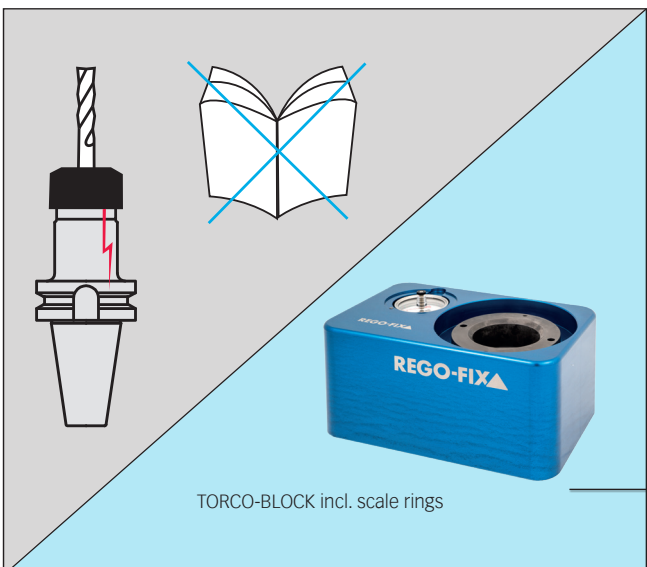


- // Easy change of tool holders and adapters
- // Available for most common spindle interfaces
- // Overhanging mounting of the TORCO-BLOCK on a workbench possible

Tool adapters for BT / CAT / SK spindle interfaces, sizes 30 to 50

Tool adapters for HSK & REGO-FIX CAPTO, sizes 25 to 100 and C3 to C6

**TORCO-BLOCK – Advantages**



- // Standard clamping spanners instead of torque wrenches and different clamping wrench heads
- // Fast clamping, as all relevant information is available on the scale rings
- // Correct clamping of the pull stud increases tool concentricity

TORCO-BLOCK incl. scale rings

Inclusive of TB / IR set

# TORCO-BLOCK and it's components

**Type** **Part no.**

## Tool assembly with torque measurement

TORCO-BLOCK 7815.00000

*Included in delivery: TORCO-BLOCK and indicator ring set (no tool adapters)*

## Indicator ring set/ 11 rings

TB/IR SET 7816.99999

## Tool adapter for CAT spindle interfaces

TB/BT 30 & CAT 30 7816.30100

TB/SK 40 & CAT 40 7816.40200

TB/CAT 50 7816.50300

## Tool adapter for SK spindle interfaces

TB/SK 30 7816.30200

TB/SK 40 & CAT 40 7816.40200

TB/SK 50 7816.50200

## Tool adapter for BT spindle interfaces

TB/BT 30 & CAT 30 7816.30100

TB/HSK 63 & C6 & BT 40 7816.63500

TB/HSK 100 & BT 50 7816.00500

**Type** **Part no.**

## Tool adapter for HSK & REGO-FIX CAPTO

TB/HSK 25 7816.25500

TB/HSK 32 & C3 7816.32500

TB/HSK 40 & C4 7816.40500

TB/HSK 50 & C5 7816.50500

TB/HSK 63 & C6 & BT 40 7816.63500

TB/HSK 80 & C8 7816.80500

TB/HSK 100 & BT 50 7816.00500

*REGO-FIX CAPTO – licensed by Sandvik Coromant*

